

3M™ Trays & Organizers BPEO Evolution

The Organizers BPEO Evolution



Organizers BPEO Evolution Size 1



Organizers BPEO Evolution Size 2



Trays BPEO Evolution 9 fusion 1 splitter

The organizers contain all the proven advantages of the early designs with additional features:

3 model are available :

- size 1 with 12 "PAS" with 1 level
- size 2 with "28 PAS" with 2 levels
- size 3 with "48 PAS" with 2 levels

- 1 PAS means 1 tray slot of 5mm (5 mm thick tray)
- 2 PAS means 2 tray slots of 5mm (10 mm thick tray)

Different splice trays can be installed on the same organizer

Content of the delivery

- Kit Organizer Size 1 = 1 organizer 1 level , 1 bridge , 1 buffer plate , 1 kit of fixing devices
- Kit Organizer Size 2 = 1 organizer 2 levels , 2 storage trays , 1 kit of fixing devices
- Kit Organizer Size 3 = 1 organizer 2 levels , 3 storage trays , 1 kit of fixing devices

The Splice Trays BPEO Evolution

The different models of splice trays allow 3 types of circuit management:

- Fusion splices in single or double stacking.
- Mechanical Fibrok™ splices 2540G in groups of 6 or 12.
- Splitter splice trays with a zone for the splitter and different type of splices.

Each splice tray can also be used for fibre storage in the shape of a figure 8, particularly useful with splitters., and all splice trays are delivered with covers.

The splice trays are to be selected according to the type of splice (fusion, mechanical, ie), if splitters are used or not and according to the density in order to define the appropriate capacity in the closures.

3M Organizer BPEO Evolution

Features

- A larger storage area for tubes, "microstructures" or for by-passing cables
- Large cable guide channels on each side of the organizer
- The marking of each splice tray is visible in the open or closed position.
- Fibre guide for 250 micron fibres from the cable entry to the splice trays

Benefits

- Un-cut fibres
- Allow routing from any tray to any tray
- Easy access to each splice tray
- Each fibre can be individually routed which is essential for FTTH installation or when using splitters.

3M Trays BPEO Evolution

Features

- The splice trays are structured in a tree style
- Each splice tray is protected by an individual cover.

Benefits

- Easy access to each splice tray
- Easy access to each splice tray

Ordering Information

Ref. No.



Kit Organizer BPEO Evolution, Size 1

801590



Kit Organizer BPEO Evolution Size 2

801591



Kit Organizer BPEO Evolution Size 3

801592

Important Notice

The details contained in this literature have been carefully prepared from information available to 3M at the time of its production. However, it is not intended to be relied upon for purposes of product specification and you should contact your sales representative if specification details are required. Because of the wide variety of processes and conditions in which these products may be used, the user should first carry out tests to determine the suitability of the products for the particular use intended. All questions of warranty and liability relating to 3M products are governed by the selling 3M subsidiary's Terms of Sale subject where applicable to the prevailing law.
3M is trademark of the 3M company. SID is a trademark of Quante AG.



3M Telecommunications

Europe, Middle East & Africa
c/o 3M Deutschland GmbH
Carl-Schurz-Straße 1

41453 Neuss · Germany
Tel.: ++49 (0)2131 / 14-5999
Fax: ++49 (0)2131 / 14-5998

Internet: www.3MTelecommunications.com/eu

Rights reserved to make technical alternations.
Dr.Nr. 07-xxx-xxxxx / XX/08 Index 0

Ordering Information

Ref. No.



BPEO-K7-1PAS-12fusion
Compatible with fusion splice protector 45mm
Splice tray is supplied with a cover

541106



BPEO-K7-2PAS-12fusion and PLC splitter
Compatible with fusion splice protector 45 or 60 mm
Can accommodate 70x10x6 mm PLC splitter
Splice tray is supplied with a cover

541104



BPEO-K7-1PAS-6Fibrlok4x4
Compatible with mechanical splice Fibrlok 4x4 ref. 2540G
Splice tray is supplied with a cover

541103



BPEO-K7-2PAS-12Fibrlok 4x4 *
Compatible with mechanical splice Fibrlok 4x4 ref. 2540G
Splice tray is supplied with a cover

541108



BPEO-K7-2PAS-10Fibrlok with Splitter
Can accommodate 70x10x6 mm PLC splitter
Splice holder for 10 Fibrlok 4x4 ref. 2540G
Splice tray is supplied with a cover

541110



BPEO-K7-1PAS-9 fusion with splitter
Splice tray is supplied with a cover

541113



BPEO-K7-2PAS - Universal splice tray
Splice tray is supplied with a cover

541121



BPEO-K7 1 PAS+12 ANT-S
Splice tray is supplied with a cover

541114

Important Notice

The details contained in this literature have been carefully prepared from information available to 3M at the time of its production. However, it is not intended to be relied upon for purposes of product specification and you should contact your sales representative if specification details are required. Because of the wide variety of processes and conditions in which these products may be used, the user should first carry out tests to determine the suitability of the products for the particular use intended. All questions of warranty and liability relating to 3M products are governed by the selling 3M subsidiary's Terms of Sale subject where applicable to the prevailing law. 3M is trademark of the 3M company. SID is a trademark of Quante AG.

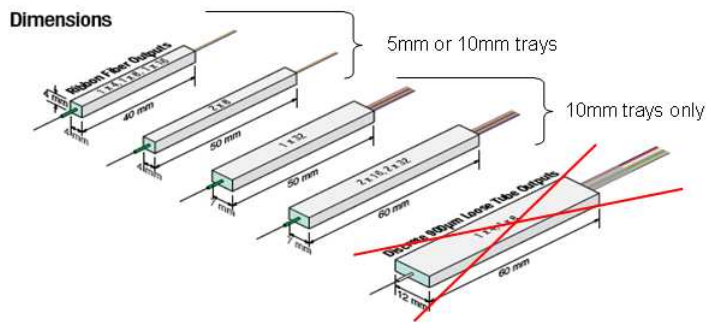


3M Telecommunications

Europe, Middle East & Africa
c/o 3M Deutschland GmbH
Carl-Schurz-Straße 1
41453 Neuss · Germany
Tel.: ++49 (0)2131 / 14-5999
Fax: ++49 (0)2131 / 14-5998
Internet: www.3MTelecommunications.com/eu

Rights reserved to make technical alternations.
Dr.Nr. 07-xxx-xxxxx / XX/08 Index 0

Splitter Integration



FTTx / configuration example

BPEO Organizer Splitter Capacity (incl. appropriated splice capacity)

plug-in position / slot*

total no- of splitters 1:32
 total no- of splitters 1:8
 total no- of splitters 1:4

Organizer S1		Organizer S2		Organizer S3	
12		28		48	
fusion splice	3M Fibrlok**	fusion splice	3M Fibrlok**	fusion splice	3M Fibrlok**
3	2	7	4	12	8
6	6	14	14	24	24
6	6	14	14	24	24

Dimension splitter:

, 1:4 / 1: 8 : 4 x 4 x 40 mm
 , 1:32 : 4 x 7 x 50 mm

3M Fibrlok** / 3M tradename for mechanical splice

Important Notice

The details contained in this literature have been carefully prepared from information available to 3M at the time of its production. However, it is not intended to be relied upon for purposes of product specification and you should contact your sales representative if specification details are required. Because of the wide variety of processes and conditions in which these products may be used, the user should first carry out tests to determine the suitability of the products for the particular use intended. All questions of warranty and liability relating to 3M products are governed by the selling 3M subsidiary's Terms of Sale subject where applicable to the prevailing law. 3M is trademark of the 3M company. SID is a trademark of Quante AG.



3M Telecommunications

Europe, Middle East & Africa
 c/o 3M Deutschland GmbH
 Carl-Schurz-Straße 1
 41453 Neuss · Germany
 Tel.: ++49 (0)2131 / 14-5999
 Fax: ++49 (0)2131 / 14-5998
 Internet: www.3MTelecommunications.com/eu

Rights reserved to make technical alternations.
 Dr.Nr. 07-xxx-xxxx / XX/08 Index 0